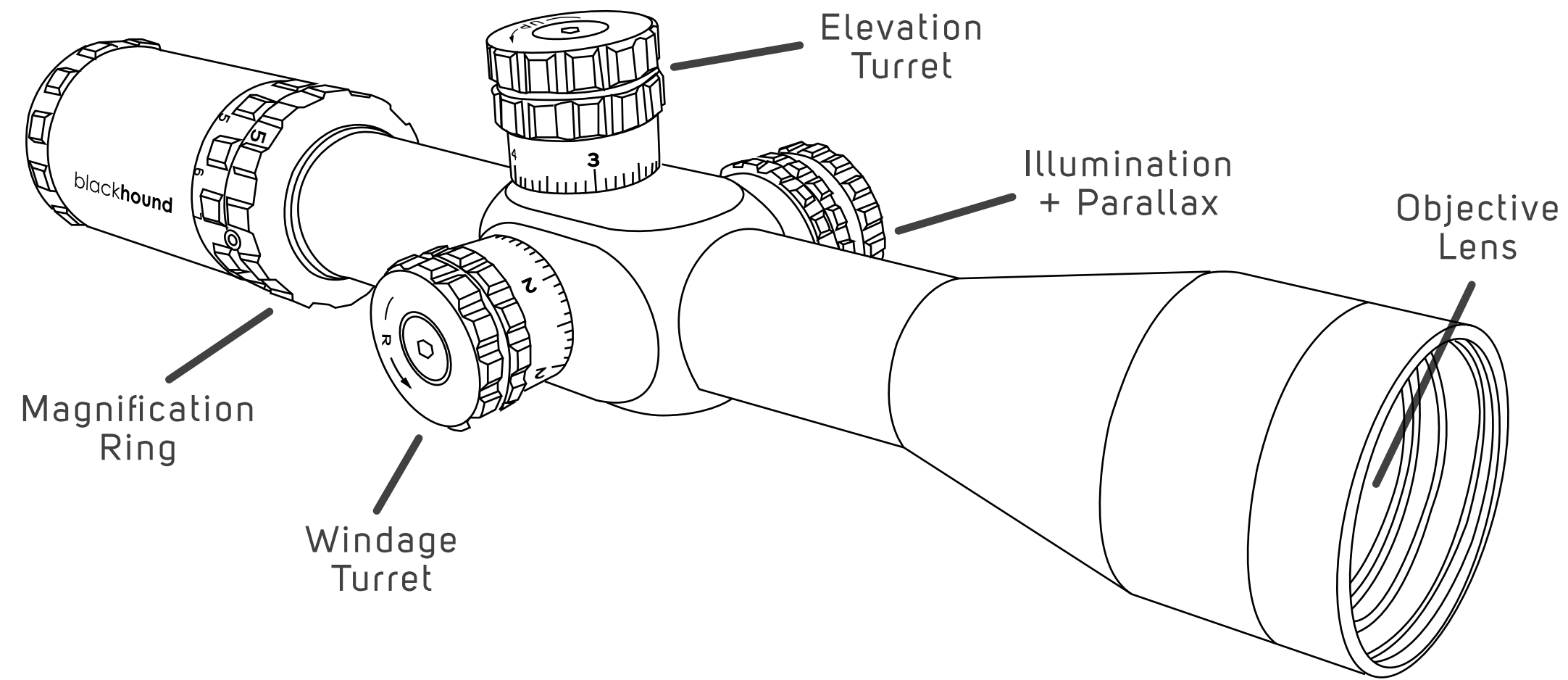




KEY COMPONENTS



4-14x44 MIL OWNER'S MANUAL

SAFETY RULES

- 1) Treat every gun as if it was loaded.
- 2) Never point a gun at anything you do not intend to shoot.
- 3) Keep your finger straight and off the trigger, until you intend to fire.
- 4) Be absolutely sure of your target, and what is beyond it.

DO NOT LOOK AT THE SUN

Looking at the sun through your scope may result in permanent eye damage, even blindness.

Specifications:

MAGNIFICATION	4-14x
OBJECTIVE LENS	44MM
EYE RELIEF	3.14-3.22"
FOCAL PLANE	FIRST (FFP)
FIELD OF VIEW	27.2'-7.85' (at 100yds)
TUBE SIZE	30MM
TURRET STYLE	EXPOSED
CLICK VALUE	1/10 MIL
TRAVEL PER ROTATION	5 MIL
ELEVATION/WINDAGE ADJUSTMENTS	20 MIL
PARALLAX	10-∞
LENGTH	12.99"
WEIGHT	1.6 lbs
BATTERY	CR2032 Lithium

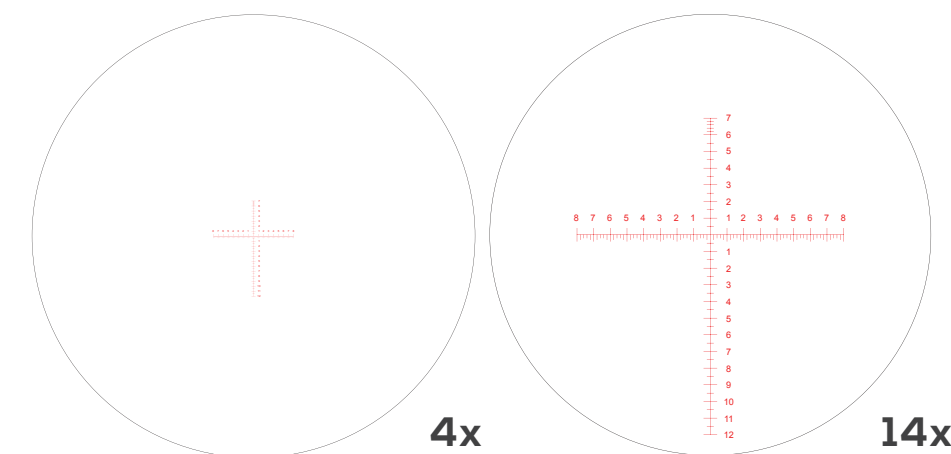
MAINTENANCE

Your Blackhound Optics 4-14x44 FFP MOA Genesis rifle scope is shockproof and waterproof. You should never try to take it apart or clean it internally. If your scope ever does need repair or adjustment, it should be returned to Blackhound Optics for warranty replacement.

Your scope will perform it's best if occasionally wiped clean with either the Blackhound Optics Lens Cloth (included) or Cleaning Tool. Acceptable alternatives to these accessories include lens cloths or optical lens papers designed for eyeglasses and cameras.

Keep protective lens covers in place when your scope is not in use. Maintain the metal surfaces of your scope by removing any dirt or sand with a soft brush to avoid scratching the finish. Wipe your scope with a damp cloth, followed by a dry cloth. Finally, wipe with a silicone-treated cloth to restore luster, and to protect your scope against corrosion. Be careful not to touch the lenses with the silicone cloth.

ALPHA RETICLE [FFP]

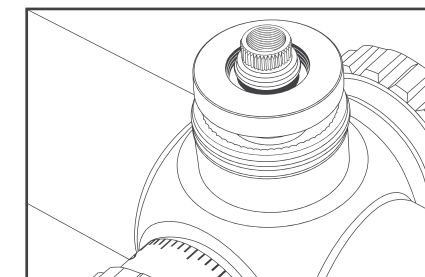
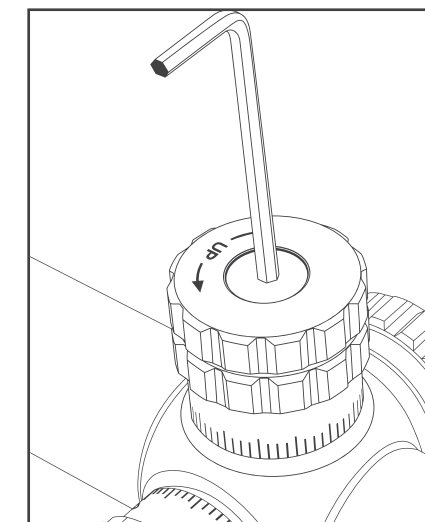


Your Blackhound Optics Genesis 4-14x44 scope features an illuminated First Focal Plane (FFP) MIL reticle.

This reticle will expand as you rotate the magnification ring from 4x through 14x. Each MIL indicator is labeled numerically, with indicators every 0.2MIL.

Zero Stop Installation

Zero your rifle first. Use the included allen wrench to remove the elevation turret screw, and insert the Zero Stop ring onto the center shaft. Lightly rotate the ring clockwise, threading the ring down the center shaft, until it impacts the turret floor. Using the other included allen wrench, secure the ring by tightening all internal allen set screws. Replace the turret cap, ensuring that '0' is installed in the full rear position, and the turret screw is hand tight. Once complete, the turret can only be moved upwards. When you rotate it back, it will stop at zero.



ALPHA RETICLE SUBTENSIONS

WHAT IS SUBTENSION?

Reticle subtension is the actual on-target dimensions of reticle elements at either full magnification (for secondary focal plane), or throughout full range of magnification (for first focal plane). Measurements are made at either 100yards (for MOA reticles) or 100 meters (for MIL reticles).



Download the ALPHA Reticle Subtension Data Sheet at

www.blackhoundoptics.com



Blackhound Optics

317 Pike Blvd.
Suite 350
Lawrenceville, GA 30046

(770) 910-7749

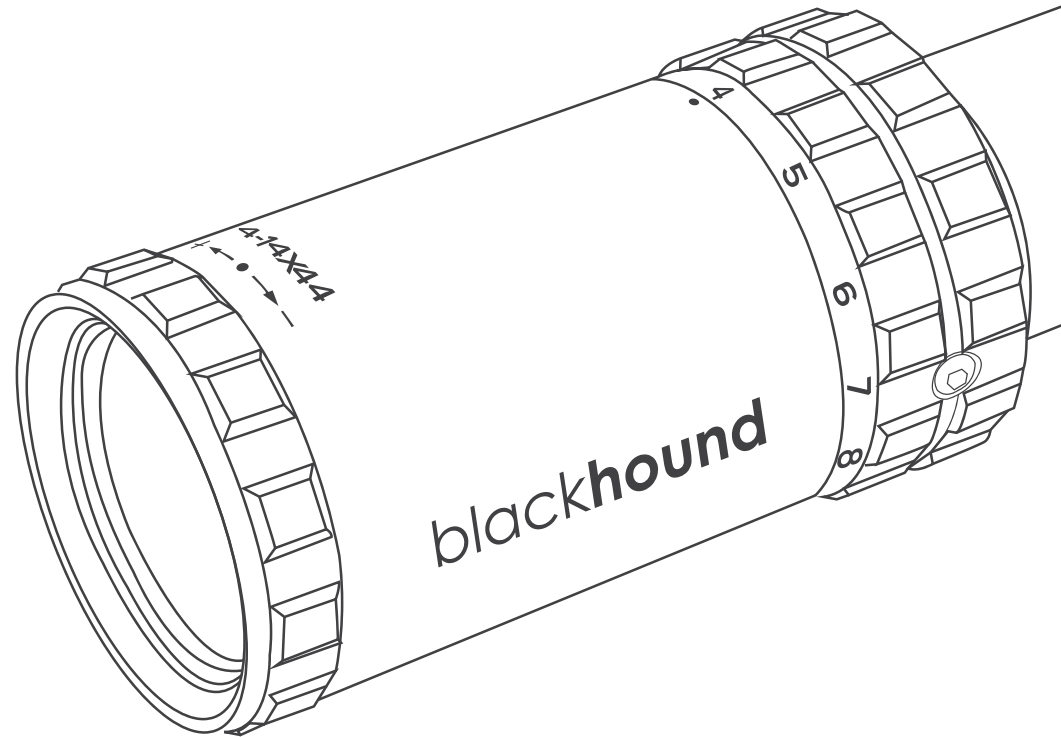
support@blackhoundoptics.com



Blackhound Optics stands behind our products, and provides a fully-transferable warranty on all materials and workmanship, for the lifetime of your rifle scope. If your scope is defective, fails to perform, or suffers non-cosmetic damage that affects its function, during normal use – we will replace your scope at no charge to you!

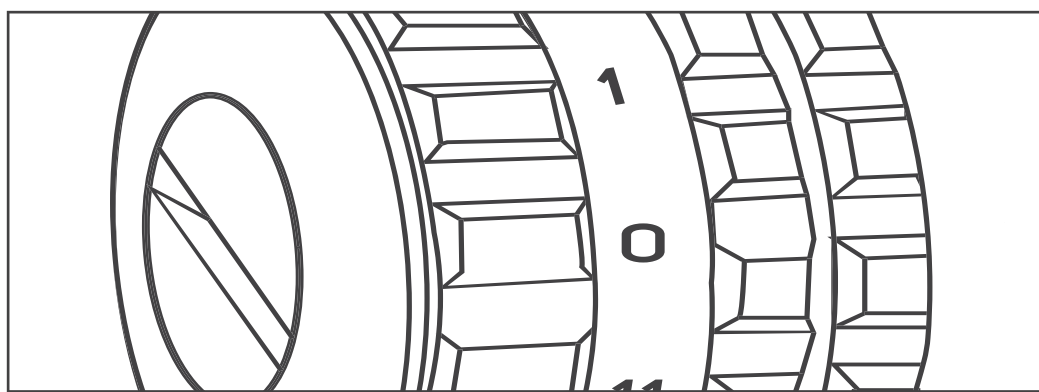


Magnification



To adjust magnification, rotate the ring in front of the ocular (rear) lens. The ring is etched with numbers corresponding with magnification from 4x to 14x. The etched numbers correspond to the scope's magnification when the magnification ring is rotated to a position where the number is at top center.

Illumination

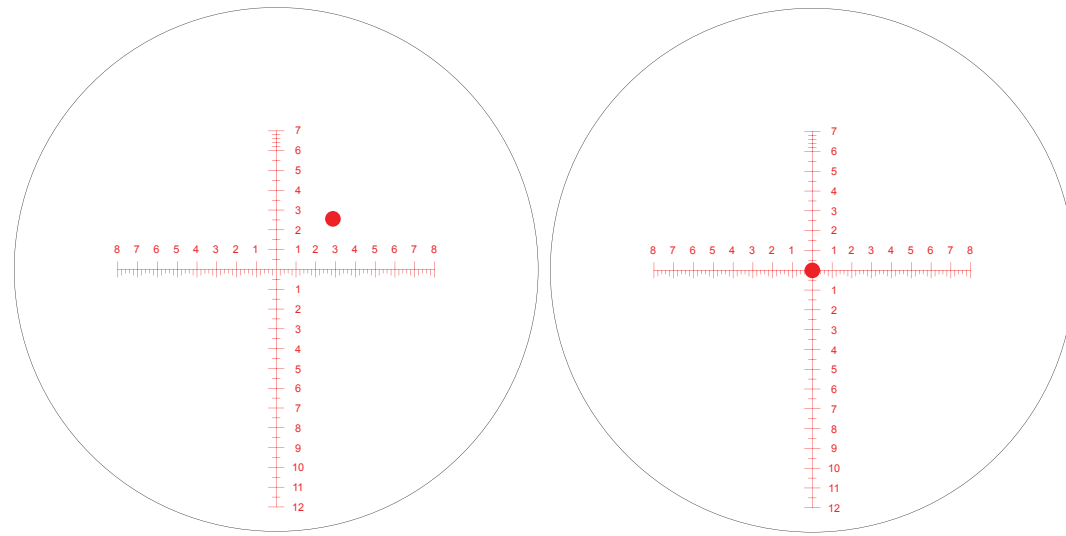


Your scope is equipped an illuminated reticle option, with 11 increasing levels of intensity. To adjust illumination intensity, rotate the control dial on the left side of your scope. Rotate rearward (clockwise) to increase intensity, and forward (counterclockwise) to reduce intensity. '0' indicates that illumination is off.

To install or replace the CR2032 lithium battery, locate the battery cover on the top of the adjustment dial, and use a coin to rotate the battery cover counterclockwise (to remove), and clockwise (to install) after replacing the battery.

Establishing Initial Zero

If available, use a bore-sight laser to provide a rough alignment upon which to zero your rifle. At an approved range, or other safe area, bench-rest the rifle. For best results, use a quality laser bore-sight and adjust optical zoom to 14x.



Aim your rifle at a target set to 25 yards. Adjust your rifle's supported position to aim the laser at the center of the target.

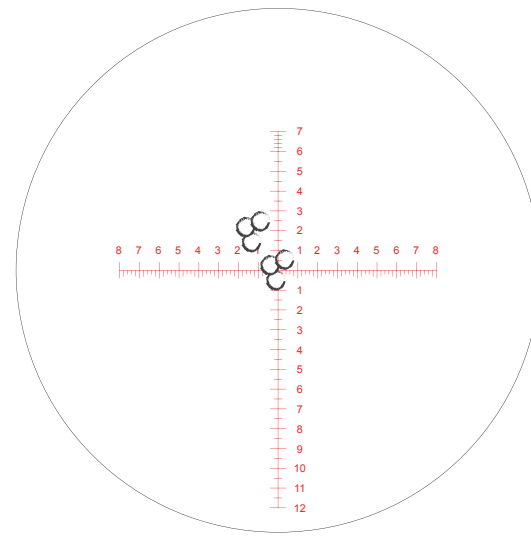
Adjust your windage and elevation controls to match the center of your scopes reticle with the target and laser.

Remove laser bore-sight, and replace any components previously removed. Conduct a complete dry-fire functions check.

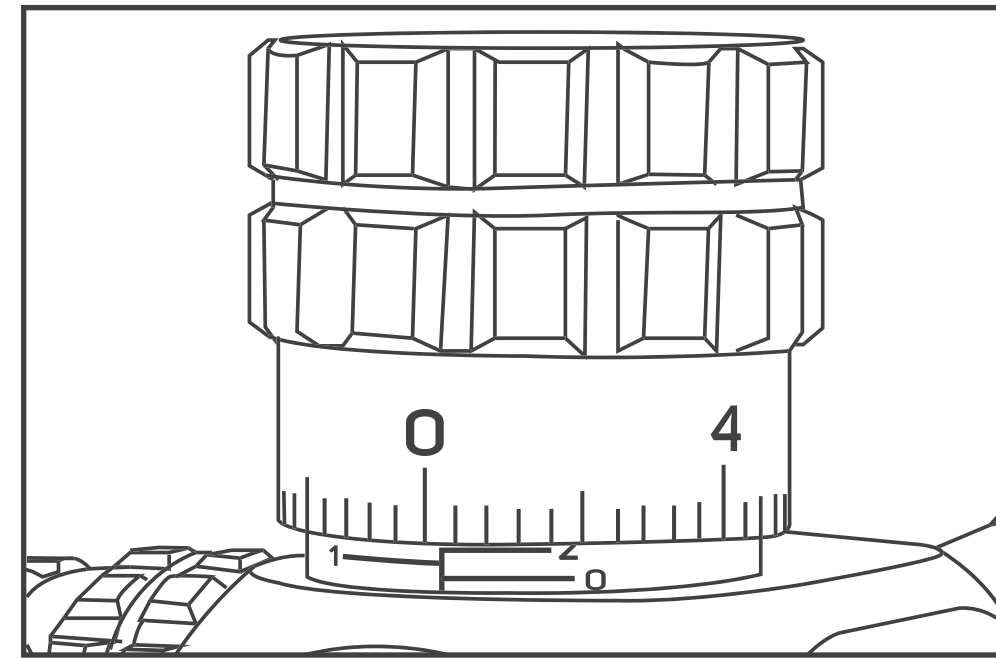
Since final zeroing involves live fire, ensure the bore is free of any obstructions before loading. Use eye and ear protection.

Fire three rounds at your target. Note their impact. Measure the distance from the group's center to the target's center.

Adjust the windage and elevation controls accordingly. When properly zeroed, grouped shots at 25yds should match impact results at 100yds with most common ammunition.

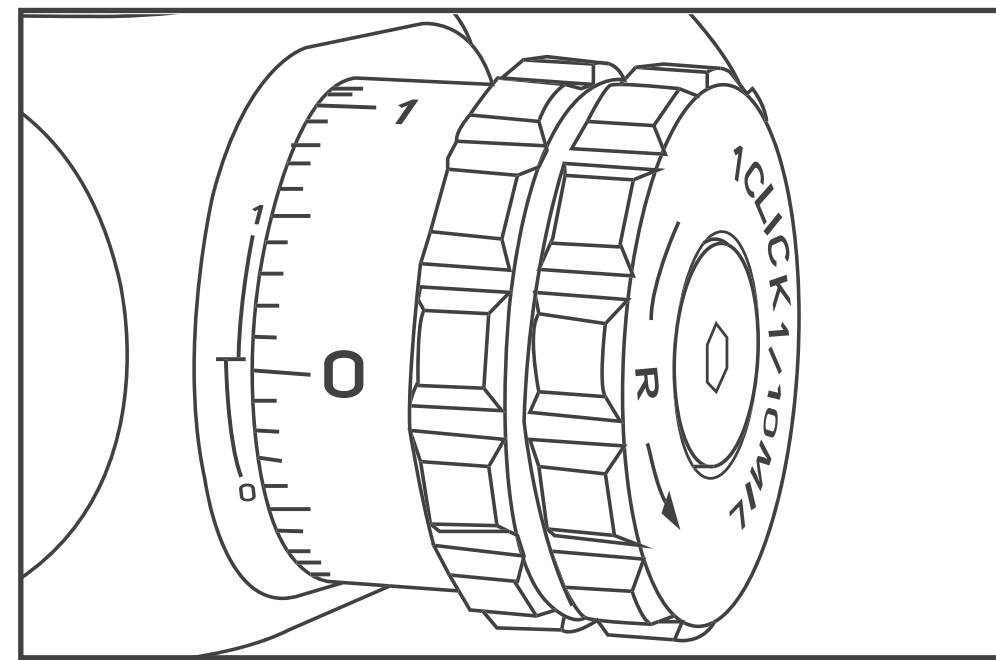


Elevation



To adjust elevation, rotate the turret located on the top side of your scope. Rotate counter-clockwise to raise your point of impact, and rotate clockwise to lower your point of impact. Each click of the turret equal 1/10 MIL. Ten clicks equal 1 MIL.

Windage

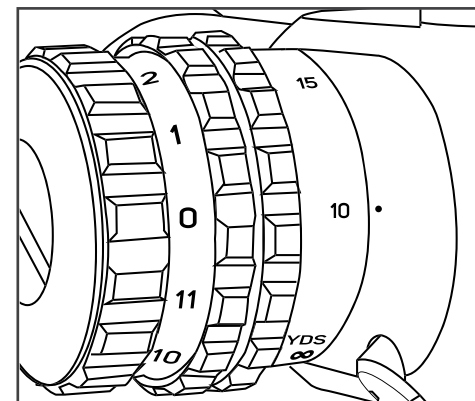


To adjust windage, rotate turret located on the right-hand side of your scope. Rotate clockwise to adjust your point of impact left, and rotate counterclockwise to adjust your point of impact right. Each click of the turret equal 1/10 MIL. Ten clicks equal 1 MIL.

Adjusting Your Parallax

To fine-tune your sight picture focus, first ensure your reticle is correctly focused before using the parallax adjustment knob on the left-hand side of your scope.

Begin by rotating the parallax adjustment knob to indicate the approximate distance to your target.



Look through your scope and rotate the knob forward and rearward until your sight picture is as sharp as possible. To confirm parallax, move your head back and forth while looking through the scope. If properly set, you should observe no apparent shift of your reticle on your target. Continue to tune until any shift disappears.

4-14x44 MIL

OWNER'S MANUAL

Support + Community

Blackhound Optics is committed to providing you, our customer, with the support and community you deserve - for as long as you own your scope. To fulfill this commitment, we have established the following dedicated channels for you to access the information you need, when you need it:

Contact Support + Knowledge Base



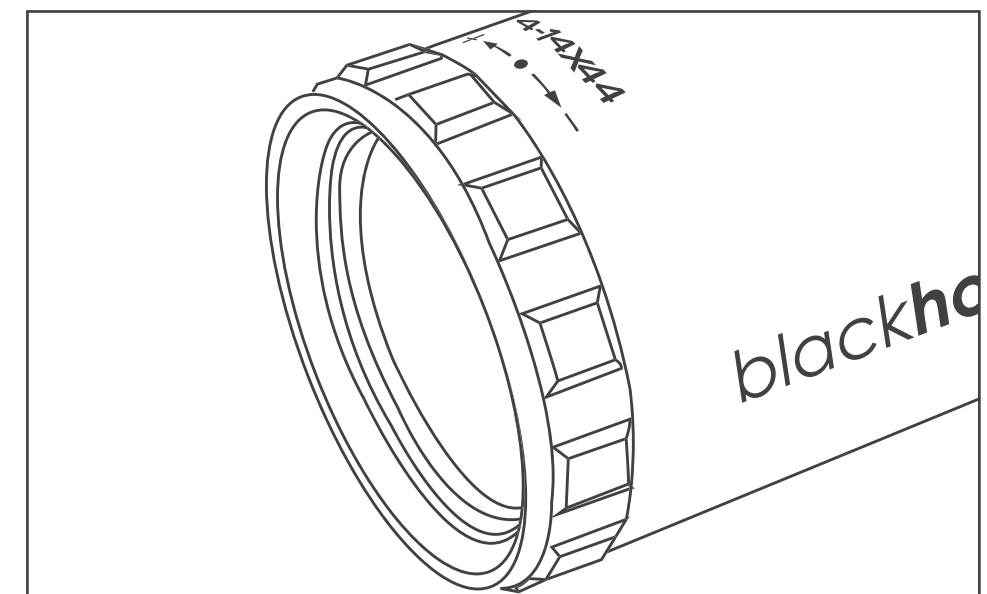
www.blackhoundoptics.com/support

Facebook Community Support Group:



"Blackhound Optics Support Community"

Fast Focus Eyepiece



- 1) Position your scope just over three inches from your eye.
- 2) Quickly glance through your scope at an area void of detail such as a wall.
- 3) If the reticle did not instantly appear in sharp focus, rotate the Fast Focus Eyepiece in either direction until sharply focused.